

THOMSON



Streaming Stick 140G

4K UHD

User Manual

Content

1.	Safety & Product Information	3
2.	Introduction	4
3.	Streaming Stick	4
3.1.	Housing	4
3.2.	Remote Control	5
4.	Installation	6
4.1.	Packaging Content	6
4.2.	Setup	6
4.3.	Remote Control Pairing	8
4.4.	First Installation	8
5.	Installation of Apps	9
6.	Connection of Bluetooth Devices	9
7.	Cast Content (Chromecast)	10
8.	Hey Google	10
9.	Display Format Settings	10
10.	Sound Format Settings	10
11.	Updates	11
12.	Questions & Answers	11
13.	Technical Specifications	11



mythomson.com



[tv.mythomson.com/
en/Support/FAQs/](https://tv.mythomson.com/en/Support/FAQs/)



[tv.mythomson.com/
Support/Product-Registration/](https://tv.mythomson.com/Support/Product-Registration/)

1. Safety & Product Information

Your device has been carefully checked and packed before shipping. When unpacking it, make sure that all the parts are included and keep the packaging away from children. We recommend that you keep the carton during the warranty period, to keep your device perfectly protected in the event of repair or warranty.

Please read the instructions before operating the device and keep them for later use. The product needs to be installed in accordance with national regulations.



Please place the device at a well-ventilated location on a flat, firm, and stable surface.

Unplug the unit in case of prolonged non-use. If the power cord is damaged, it must be replaced with the power adapter 12 V 1 A. Please contact the After Sales Service to avoid possible danger.



NOTICE: To prevent electric shock, do not expose this device to rain or moisture and protect it from high temperature, humidity, water, and dust. Do not use the unit in damp or cold locations.



In case the unit needs to get repaired, please go to the website: <https://tv.mythomson.com/en/Support/> and contact the After Sales Service.



To prevent the spread of fire, always keep candles or other open flames away. Keep the device away from direct sunlight.



There is danger of explosion if the batteries are incorrectly replaced. Replace them only with the same or equivalent types. The used batteries must be disposed of safely. Throw them in appropriate rubbish bins to protect the environment.



Equipment with this symbol is a Class II or double insulated electrical appliance. It has been designed in such a way that it does not require a safety connection to electrical earthing.



This marking indicates that this product must be properly disposed of throughout the EU in accordance with Directive 2002/96/EC (WEEE) and may not be disposed of with other household waste. Please recycle it responsibly to help with the sustainable reuse of material resources. Please return it to a collection system or contact the retailer where you purchased the product.

According to the Battery Act, end users are legally obliged to return old batteries. Please do not throw used batteries to household waste but return them to a collection system for used batteries.

Simplified EU Declaration of Conformity

Hereby, StreamView declares that the radio equipment type product device Streaming Box is complying with Directive 2014/53/EU. The full text of the EU declaration of conformity is available at the following internet address:

tv.mythomson.com/support

Intended for indoor use only in EU member states and EFTA states.

**AT BE BG CH CY CZ DE DK EE ES FI FR GR HR HU IE IS
IT LI LT LU LV MT NL NO PL PT RO SI SK SE TR UK (NI)**

Apps and Performance

Download speed depends on your Internet connection. Some apps might not be available in your country or region. Streaming membership may be required. Netflix is available in selected countries. More information at www.netflix.com. The availability of the language for Google Assistant depends on Google Voice Search support.

Data Protection

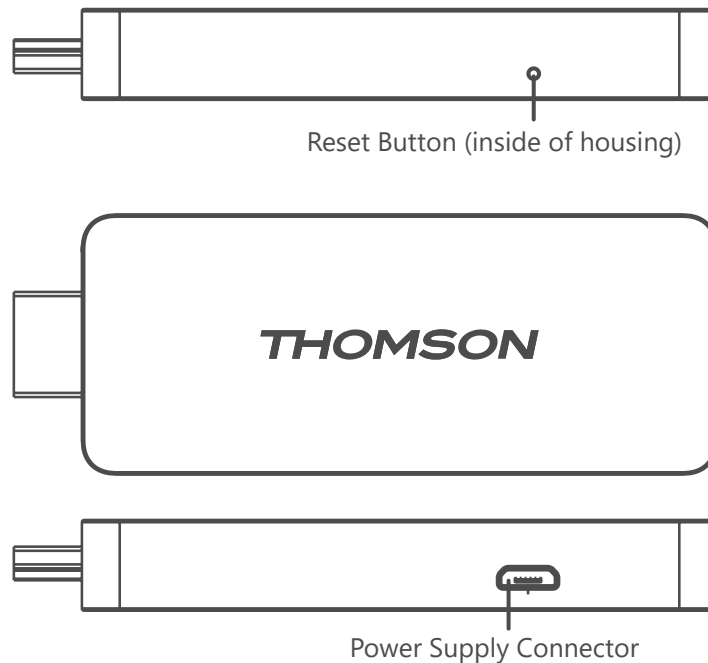
The application providers and the providers of the services may collect and use technical data and related information, including but not limited to technical information about this device, system and application software and peripherals. They may use such information to improve products or to provide services or technologies, which do not personally identify you. Additionally, some third-party services, already provided in the device or installed by you after purchasing the product, may request a registration with your personal data. Some services may collect personal data even without providing additional warnings. StreamView cannot be held liable for a possible breach of data protection by third-party services.

2. Introduction

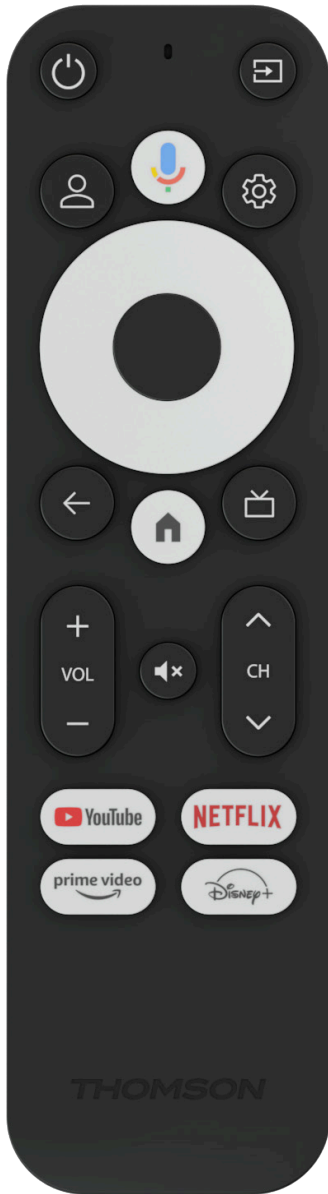
The Thomson Streaming Stick 140G upgrades your TV to a Smart TV and brings the experience of Android, known from mobile phones to your TV. You can download apps, such as streaming services, games, TV media centers and thousands of more from Google Play. Ask Google to quickly find YouTube videos, the latest blockbuster, check the internet for weather or other content. Cast your photos, videos and music from mobile devices to your TV with Chromecast built-in.

3. Streaming Stick

3.1. Housing



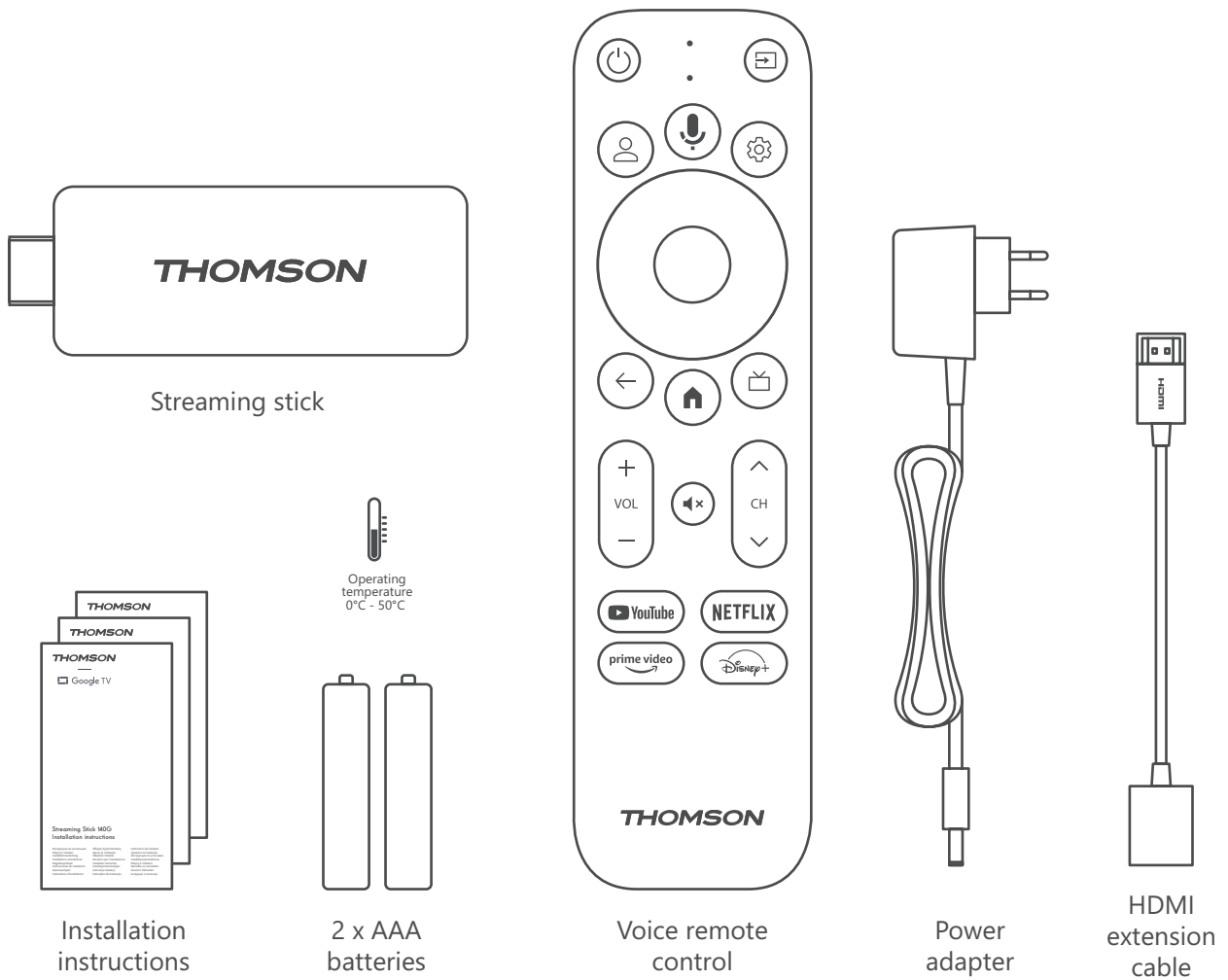
3.2. Remote Control



	Standby: Quick Standby / Standby / On
	Source/Input: Selects the devices connected to the TV or Live TV. *The button only works when the Smart RCU function of the Thomson Streaming Stick 140G is activated.
	Profile Switch: Switches user profiles
	Microphone: Activates the Google Assistant and the microphone built into the remote control
	Settings: Opens the Settings Menu
	OK: Confirms selections
	Directional Buttons (D-Pad): Navigates menu, setting options, moves the focus or cursor etc.
	Back/Return: Returns to previous menu screen, goes one step back etc.
	Home: Opens the Home Screen
	Common application
	Volume +/-: Controls the Sound Volume of the TV
	Program +/-: Zapping the single TV/radio channels. Scroll the channel list page by page when the channel list is displayed on the TV screen
	Mute: Completely turns off the volume of the TV
	YouTube: Launches the YouTube application
	Prime Video: Launches the Prime Video application
	Netflix: Launches the Netflix application
	Disney+: Launches the Disney + application

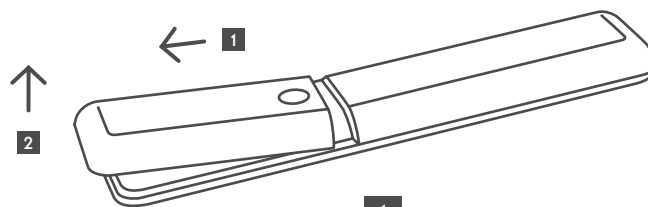
4. Installation

4.1. Packaging Content

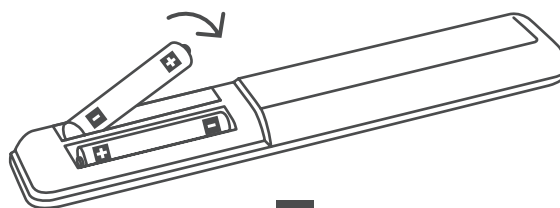


4.2. Setup

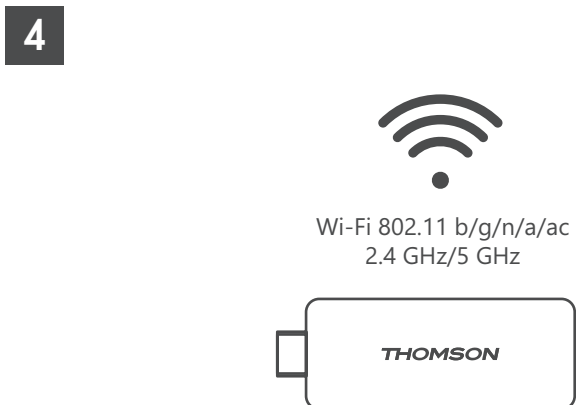
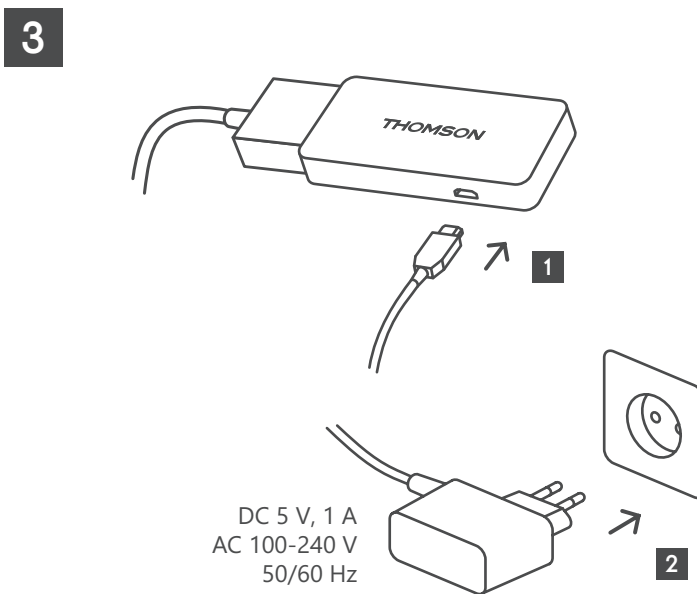
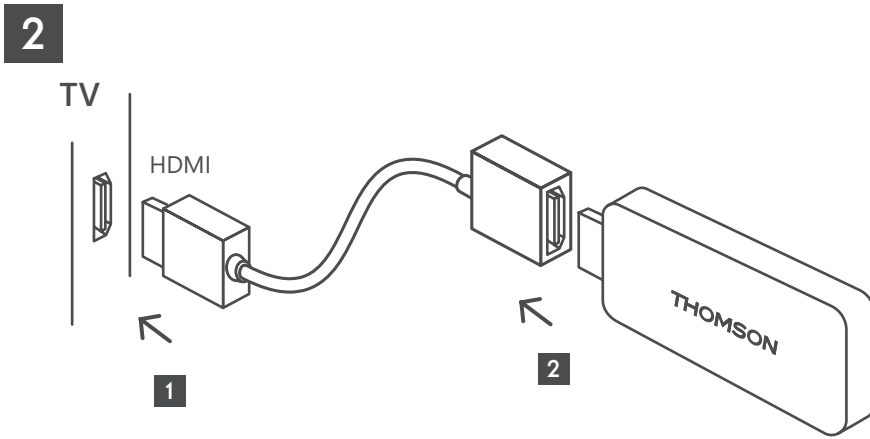
1



1

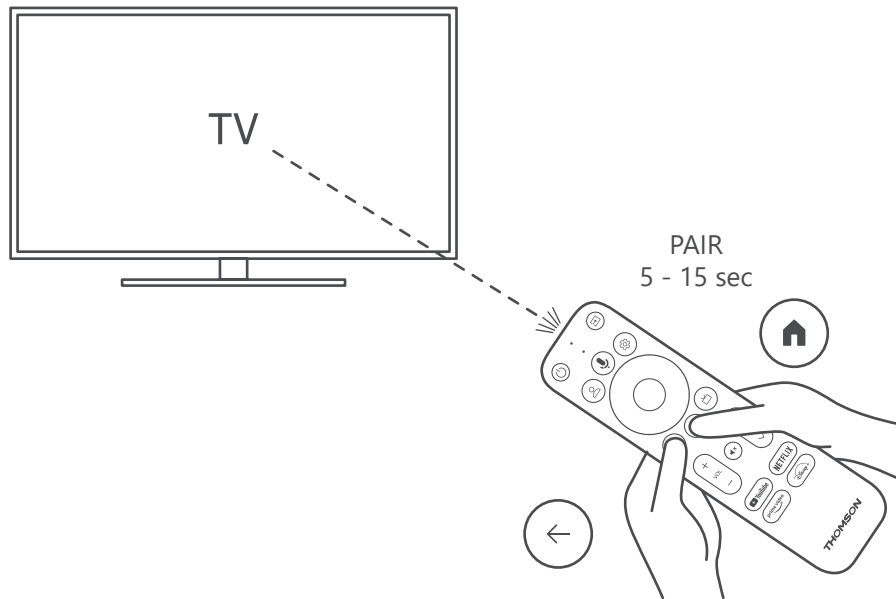


2



If an Internet connection via LAN is not available, the initial installation will prompt you to connect to the Internet via WLAN.

4.3. Remote Control Pairing



Turn on the TV and the Streaming Box and follow the on-screen instructions to pair the remote control.

4.4. First Installation

After you have paired the remote control successfully, select the installation language and your region, and follow the installation instructions on your screen.

You can set up your Thomson Streaming Stick 140G via the Google Home application on your mobile (phone or tablet) or manually by selecting the "Set up on TV instead" option at the bottom of the screen.

Note:

A Google account is required to set up the Thomson Streaming Stick 140G.

You must be signed in to your Google account to access the Google Play Store, Hey Google and your favorite streaming applications.

If you do not have a Google account or want to create a shared account, you must register it before installing the Thomson Streaming Stick 140G on your computer or smartphone.

You can create a Google account by visiting the following website:

<https://accounts.google.com/signup>

After completing the initial installation of your Thomson streaming device, the Google TV home screen will be displayed.

Please note that the illustrations of the menu screens shown in this user guide are for reference only and they may differ in your country.

5. Installation of Apps

You have access to thousands of applications in the Google Play store ready for you to download. You can install applications following the steps below:

1. Select Menu Apps on the Home Screen.
 2. Select the Search for apps and games field and enter the name of the application you want to download.
- In the Apps Home Screen Menu, there are also various submenus such as Your apps, App categories, Apps from my other devices, Featured Apps and others that facilitate your selection and the installation of applications.

Note: some apps work only in your own network. These apps are not open internet services but only in-house solution for several TV sets in the same household. The operation of these applications can therefore be determined by your IP TV or Network operator.

Some apps are available for download according to the Geo-Location.

This means that the Geo-Location dependent applications are only available in the Google Play store according to the Geo-Location rules and cannot be downloaded and installed in different countries.


Some apps that are available for mobile devices such as cell phones and tablets are for legal reasons not available for download on Google TV devices.

6. Connection of Bluetooth Devices

Remotes and accessories

In this menu you can connect audio devices such as headphones and speakers as well as input devices such as gamepads, mouse, or keyboard via Bluetooth to the Thomson Streaming Stick 140G.

You can also set up the remote control so you can control Power On/Off, Volume +/- or Input Selection of the connected devices (TV, AV Receiver or Soundbar) with the Thomson RCU.

Press the button  on the remote control and press OK to open the Settings menu. Select Bluetooth and press OK.

Pair Accessory

Make sure that Bluetooth pairing mode is activated on the device you want to connect to the Thomson Streaming Stick 140G. Select Menu option Pair accessory and press OK. Bluetooth device will be listed on the right side. Select the device and press OK to start the pairing process.

Accessories

In the menu you can manage Bluetooth connected devices such as remote control.

Remote Control

Select Menu option Set up remote buttons and press OK. There are two submenus in the Set up remote buttons menu:

Devices

Select Add device and press OK. Select the device you want to control with the Thomson RCU, TV, Soundbar or AV Receiver and press OK. Select Brand of your device from the list and press OK. Select the control options you want to operate with the Thomson RCU and follow the instructions on the TV screen.

Remote Buttons

In this submenu you can configure the operation of your Thomson RCU. You can set which operating functions you want to continue to operate with the original remote control of the connected device (TV, AV receiver or soundbar) and which you want to operate with the Thomson remote control.

7. Cast Content (Chromecast)

The Thomson Streaming Stick 140G has Chromecast built-in. You can cast videos, music or other content from your smart phone, tablet, or computer to your TV.

1. Please make sure that your phone, tablet, or computer is in the same network as your Streaming stick.
2. Open the app that supports casting, e.g., YouTube.
3. Select the video and click the cast icon.
4. Select the Streaming Stick 140G and press OK.

Playback will start automatically. Please note that not every application for streaming video content supports the Chromecast function.

8. Hey Google

The Thomson Streaming Stick 140G supports Hey Google function. Hey Google can be used to perform various operations, such as to adjust the volume by percentage, mute and re-activate the volume or to open various applications. You can search for various information from the Internet, such as „What’s the weather like tomorrow“, or search for movies, series or videos in streaming service applications such as Netflix, Prime Video, Disney+ or YouTube.

9. Display Format Settings

Press the Settings button on your remote control or select the Settings icon on the Home Screen and open Display & Sound -> Advanced display settings.

The default display setting format selection in the Display & Sound Menu is Automatic. The following display format settings are available:

Automatic:

If you select the Automatic display format setting, the system allows the installed applications to automatically adjust the HDR format to your display device. With this setting option, all applications automatically display the video content in the optimal video format, but not in the highest quality.

Manual:

If this option is selected, you can manually deactivate HDR formats that are supported by your playback devices and may cause playback problems. HDR formats that are not supported by your playback device will be displayed under “unsupported formats” and cannot be forcibly activated. Installed applications may automatically select a video format that will not be displayed in the highest video quality.

10. Sound Format Settings

The Thomson Streaming Stick 140G automatically recognizes the optimal sound format supported by the connected device, whether it is the HDMI connection of the TV or the HDMI connection of the AV receiver. It then adjusts the sound playback parameters accordingly, ensuring an optimal sound experience tailored to the connected device. Press the Settings button on your remote control or select the Settings icon on the Home Screen and open Display & Sound -> Advanced Sound Settings.

The following sound format settings are available:

Automatic:

Using this sound playback option, the Thomson Streaming Stick 140G via HDMI cable or Digital Audio Optical Toslink cable will detect the best sound format the connected device can support and will adjust the sound playback characteristics according to the connected device. This sound format setting option is recommended.

None:

Using this sound playback option, the Thomson Streaming Stick 140G will not play surround sound over connected HDMI cable or Digital Audio Optical Toslink cable. This option is recommended if you want to use a DAC (Digital Audio Converter) to convert the digital audio from the Thomson Streaming Stick 140G to analogue audio or if your connected device cannot support digital sound playback.

Manual:

Selectively enable or disable each format supported by this device, regardless of what is supported by your audio output device.

11. Updates

The software update of the Thomson Streaming Stick 140G occurs automatically. If updates are available for the installed apps or the operating system, you will receive a notification on the Home Screen. Select the notification and press the OK button to read it.

12. Questions & Answers

What can I do with my Thomson Streaming Stick 140G?	The Thomson Streaming Stick 140G turns your TV into a Smart TV and brings the Android features known from mobile phones to your TV. You can download apps such as streaming services, games, TV media centers and thousands of others from Google Play. For more information, please visit the website https://tv.mythomson.com/en/Support/FAQs .
Do I need a Smart TV to use my Thomson Streaming Stick 140G?	No, you don't. The Thomson Streaming Stick 140G upgrades any TV to a Smart TV.
What connections are required to operate my Thomson Streaming Stick 140G?	The Thomson Streaming Stick 140G must be connected to the HDMI port on the TV. It can be connected directly or via the supplied HDMI extension cable.
Does my Thomson Streaming Stick 140G have pre-loaded Apps?	The following applications are pre-installed: Netflix, YouTube, Disney+, Prime Video, DAZN etc.
Do I need a Google Account to use my Thomson Streaming Stick 140G?	A Google account is required to set up the Thomson Streaming Stick 140G. You must be signed into your Google account on your Thomson Streaming Stick 140G to access the Google Play store, Hey Google and favorite content offerings of streaming applications.
Why can I not find the application that is available on my mobile device in the Google Play store of Google TV?	Some apps that are available in the Google Play store for mobile devices such as cell phones and tablets are not available for Google TV devices for legal reasons.
Can I create or edit my Google account on the device?	No, you need to use your mobile or PC to create and edit your Google account.
Can I watch video content/files from my server via the home network on my Thomson Streaming Stick 140G?	It is possible to see video files from your home server but this requires a suitable app and information how to setup the connection.
What are the internet requirements for my Thomson Streaming Stick 140G?	The Streaming Stick works well with standard internet connection. However, you will have better experience the faster the internet connection is. Please note, that the more devices are connected to your home network, the less broadband you have for your Thomson Streaming Stick 140G.
How do I use Google Assistant?	From the Android Home menu, press the Google Assistant button on the Thomson Streaming Stick 140G remote control. You can search for any content. All content related to your question will appear in the list.

13. Technical Specifications

Audio & Video

Display resolution: 4K Ultra HD

Video resolution: 4Kx2K@60fps, 1080p, 1080i, 720p, 576p, 576i, 480p, 480i

Audio decoding: Dolby Digital Plus & Dolby Atmos

System & Memory

Operating system: Google TV

Chipset: Amlogic S905Y4

CPU: Quad-Core Cortex-A35

GPU: ARM Mali-G31 MP2

SDRAM: DDR2 GB

Flash eMMC 8 GB

Wireless Connectivity

Built-in Wi-Fi: 802.11 b/g/n/a/ac 2.4GHz/5GHz 2T2R

Bluetooth: 5.0

Compatibility

HD, FHD and UHD TVs with HDMI compatible port

Bluetooth keyboard

Bluetooth gamepad

General Data

Power supply: AC 100 – 240 V AC ~50/60 Hz

Input voltage: Power adapter DC 5 V $\overline{=}$ 1 A

Power consumption working: max. 5 W

Operating temperature: 0 ~ +50 °C

Storage temperature: -20 ~ +70 °C

Dimensions (W x D x H): 34,4 x 12 x 93 mm

Weight: 104 g

Licences

This product is licensed under the AVC patent portfolio license for the personal and non-commercial use of a consumer to (i) encode video in compliance with the AVC standard ("AVC VIDEO") and/or (ii) decode AVC video that was encoded by a consumer engaged in a personal and non-commercial activity and/or was obtained from a video provider licensed to provide AVC video. No license is granted or shall be implied for any other use. Additional information may be obtained from MPEG LA, L.L.C. see <http://www.mpegla.com> This product contains one or more programs protected under international and U.S. copyright laws as unpublished works.

They are confidential and proprietary to Dolby Laboratories. Their reproduction or disclosure, in whole or in part, or the production of derivative works therefrom without the express permission of Dolby Laboratories is prohibited. Copyright 2012-2021 by Dolby Laboratories. All rights reserved. Subject to alterations. In consequence of continuous research and development technical specifications, design and appearance of products may change. Google, Android TV, Google Play, YouTube, Chromecast, and other related marks and logos are trademarks of Google LLC. Netflix is a registered trademark of Netflix, Inc. Wi-Fi is a registered trademark of Wi-Fi Alliance®. The terms HDMI and HDMI High-Definition Multimedia Interface, and the HDMI logo are trademarks or registered marks of HDMI Licensing Administrator, Inc. in the United States and other countries. Dolby, Dolby Vision, Dolby Audio, and the double-D symbol are trademarks of Dolby Laboratories Licensing Corporation. Manufactured under license from Dolby Laboratories. For DTS patents, see <http://patents.dts.com>. All product names are trademarks or registered trademarks of their respective owners.

© 2023 StreamView GmbH, Franz-Josefs-Kai 1, 1010 Vienna, Austria. All rights reserved. Thomson is a registered trademark of Thomson Corporation, used under license by StreamView GmbH.